

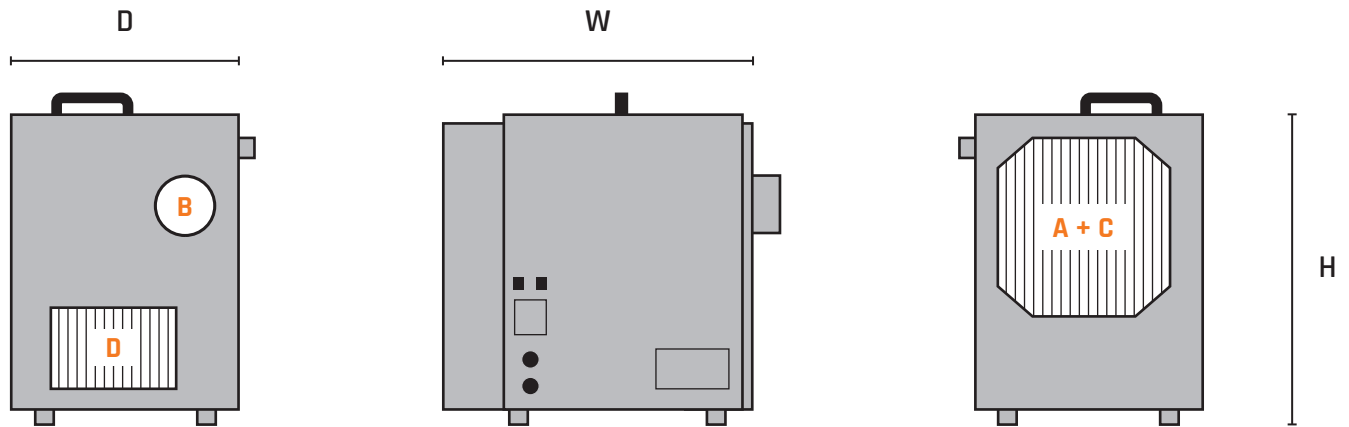
# DATASHEET

## THE C-LK RANGE - DEHUMIDIFIERS WITH MOISTURE CONDENSATION

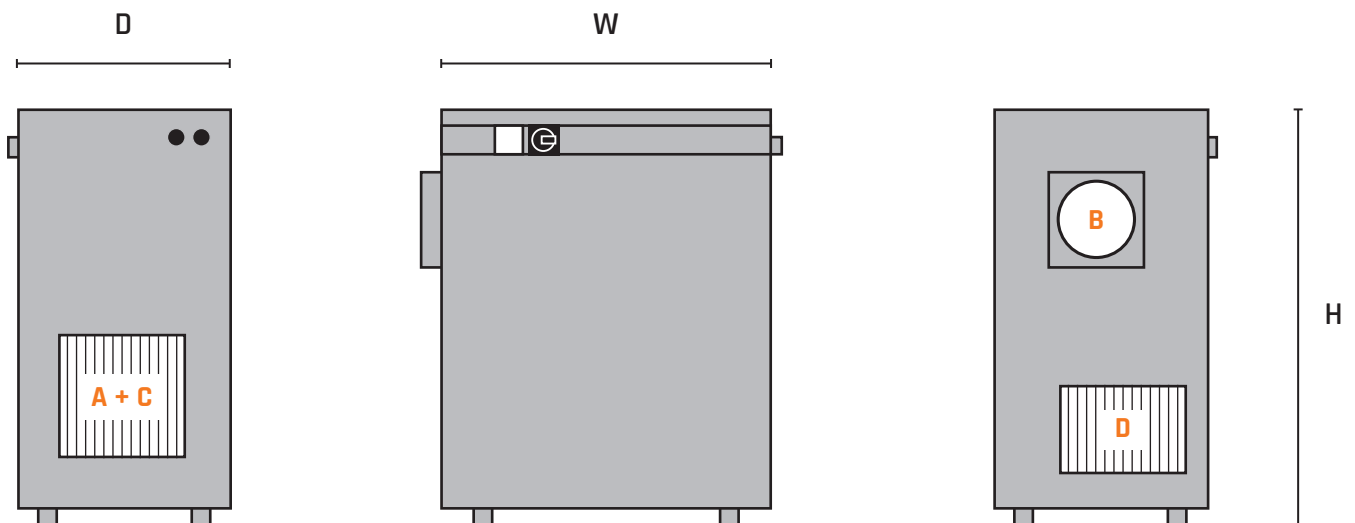
With stainless-steel cabinets and a low-noise fan, these units offer versatile placement and quiet operation. Without the need for ductwork, they create a closed circuit that condenses moisture from the regeneration air. An efficient drainage system ensures flexible installation, adapting to a wide range of installation conditions.

### TECHNICAL DATA

C22LK



C26LK



## THE C-LK RANGE

# TECHNICAL DATA

Performance data is based on nominal conditions 20°C, 60%RH.

THE C-LK RANGE			
		C22LK	C26LK
<b>TECHNICAL DATA</b>			
DRY AIR NOMIAL	m <sup>3</sup> /h	115	225
VOLTAGE/PHASES	V/PH	1 x 230V PH+N+PE	1 x 230V PH+N+PE
CONNECTED LOAD*	kW	0.75	1.6
REGENERATION AIR HEATER*	kW	0.64	1.4
MAXIMUM FUSE SIZE	A	10	10
EXT. PRESSURE PROCESS AIR	Pa	0	150
MOISTURE REMOVAL CAPACITY	kg/h	0.38	0.6
* At nominal dry air flow.			
<b>DIMENSIONS AND WEIGHT</b>			
W WIDTH	mm	425	533
D DEPTH	mm	311	351
H HEIGHT	mm	431	673
CONDENSED WATER OUTLET	mm	Ø10	Ø10
WEIGHT (ELECTRICAL)	kg	22	39
<b>DUCT CONNECTIONS</b>			
A PROCESS AIR INLET	mm	230 x 243	185 x 185
B PROCESS AIR OUTLET	mm	Ø80	Ø125
C COOLING AIR INLET	mm	230 x 243	185 x 185
D COOLING AIR OUTLET	mm	178 x 113	192 x 113